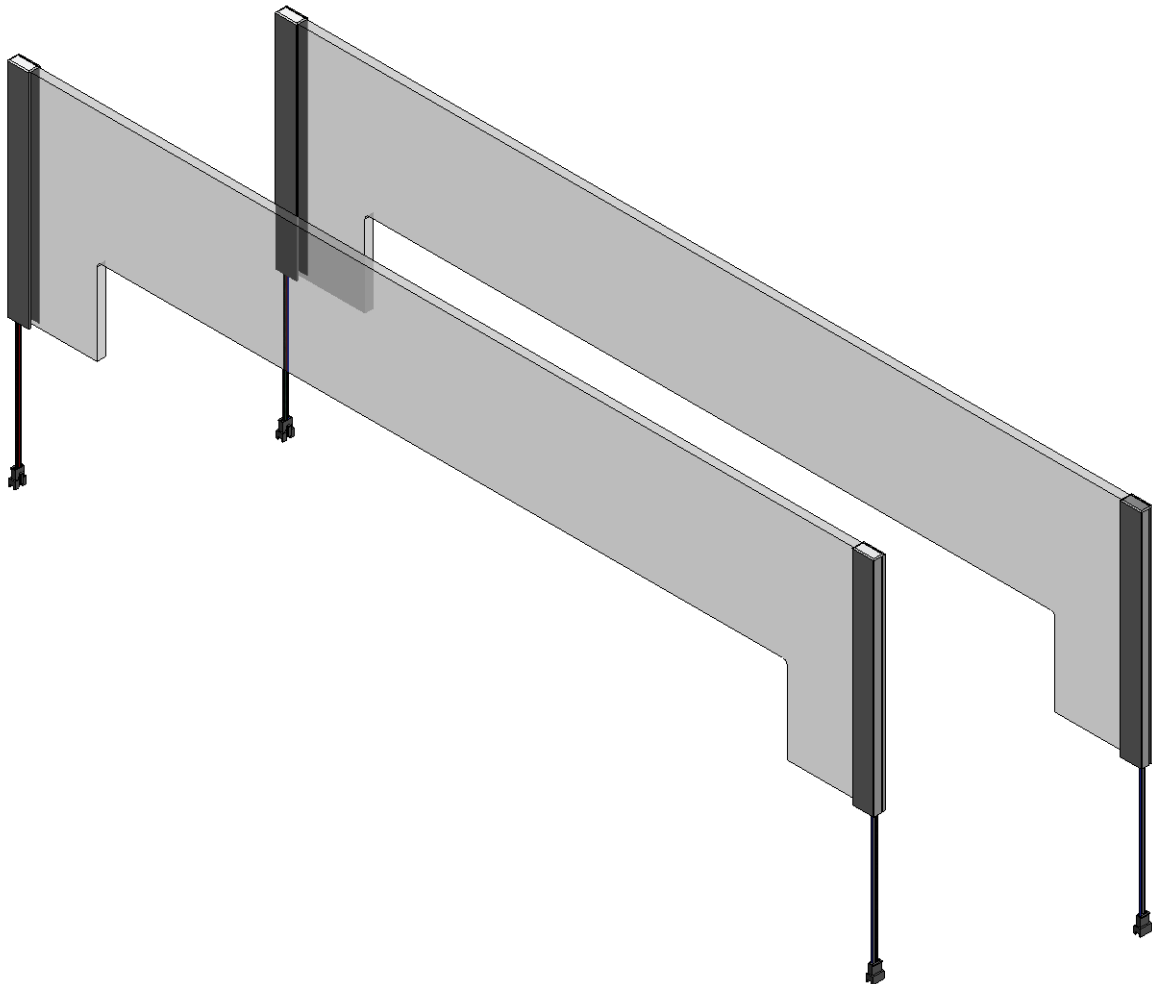


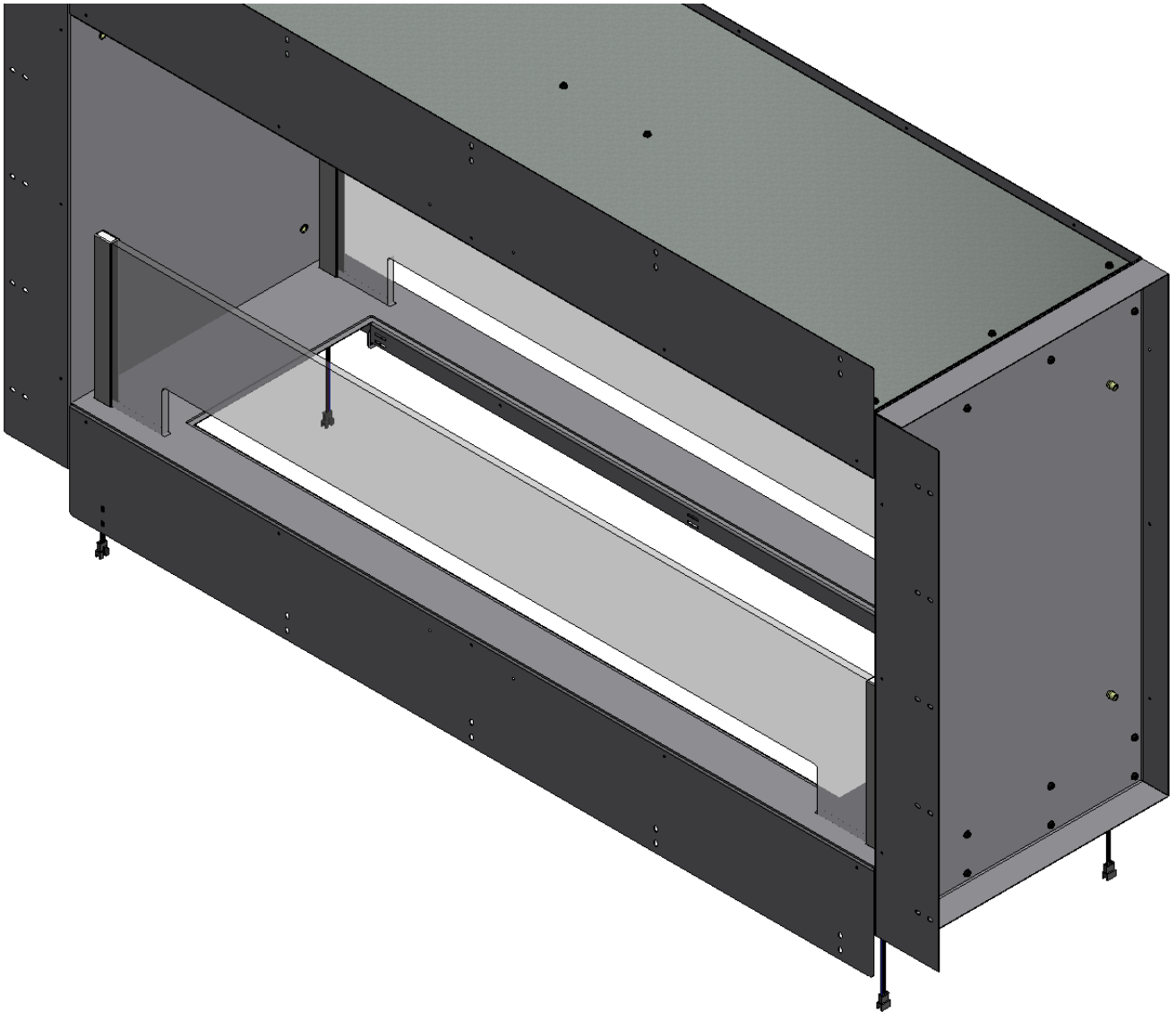
- **NetZero Edge Lit Glass Installation Instructions**

Model	Single Sided	Double Sided
NZPF36	AA-11-05248	N/A
NZ40	AA-11-05224	AA-11-05220
NZ48	AA-11-05225	AA-11-04930
NZ60	AA-11-05226	AA-11-05221
NZ72	AA-11-05227	AA-11-05183



## INSTALLING INTO THE FIREBOX

- 1) If the burner is currently installed, start by removing the burner from the firebox along with any glass that may be installed.
- 2) Install the LED Component Kit AA-11-04931 before beginning the Edge Lit Glass installation. Turn off power to the power supply and LED controller. Reference the LED Component Kit installation instructions for information on operation of the LED components.
- 3) Place the edge lit glass assembly into the firebox and place the electrical connection terminals through the corresponding cutouts in the firebox. Make sure not to pinch any of the LED wires.  
NOTE: You may need to remove the knockouts on the firebox floor to run the LED wires through it. If you are also installing the LED Light Tray Kit make sure that kit is installed first.



## WIRE DIAGRAM

Find the wire diagram below that corresponds to the kit configuration you are installing.

**Notes:**

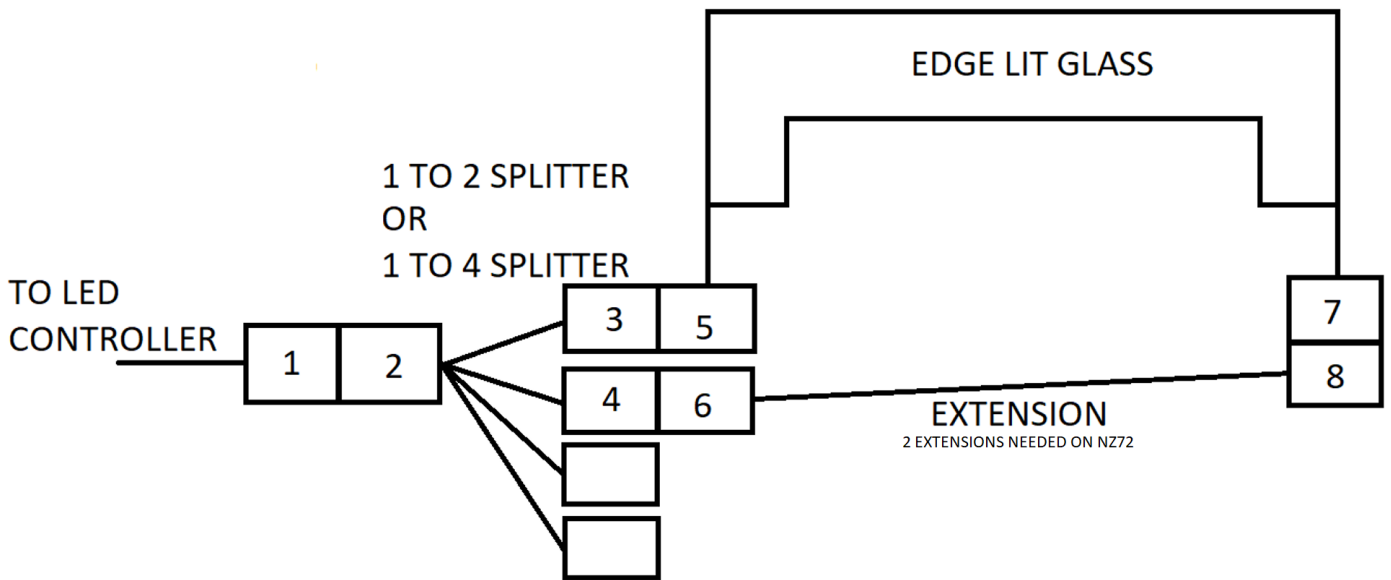
The numbered terminals for this kit were done for reference only, you can label yours to match if it is easier to follow along.

Not all terminals will be connected, terminals without numbers identify an empty terminal.

There are two terminals coming from the LED controller, one will remain unused unless you are also installing the LED floor tray, then the second terminal will be used.

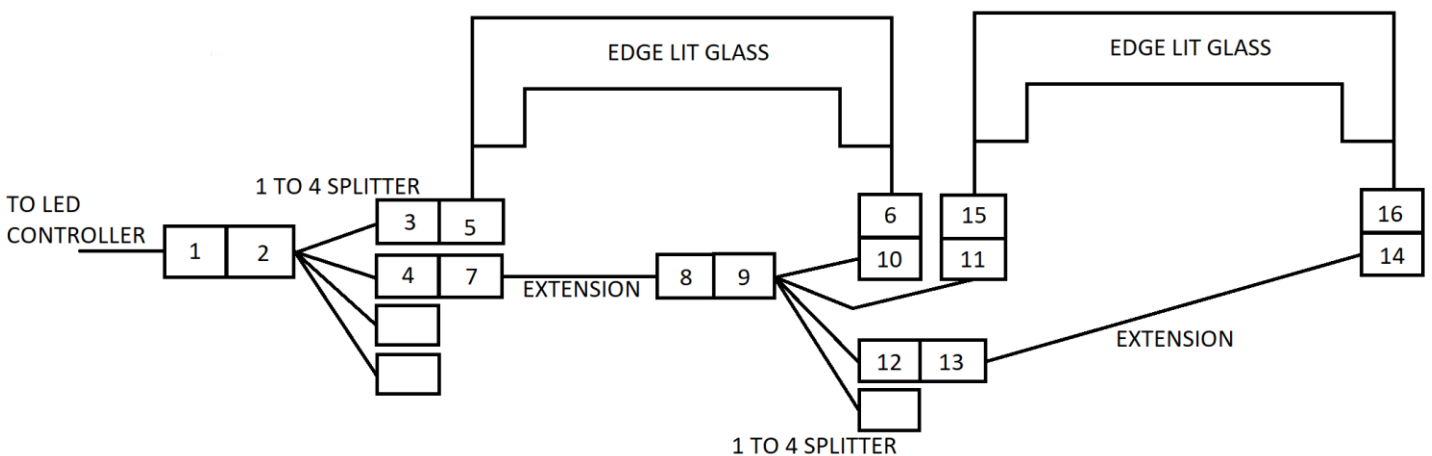
### NZPF36, NZ40, NZ48, NZ60, AND NZ72 SINGLE SIDE EDGE LIT GLASS

AA-11-05248, AA-11-05225, AA-11-05225, AA-11-05226, AND AA-11-05227



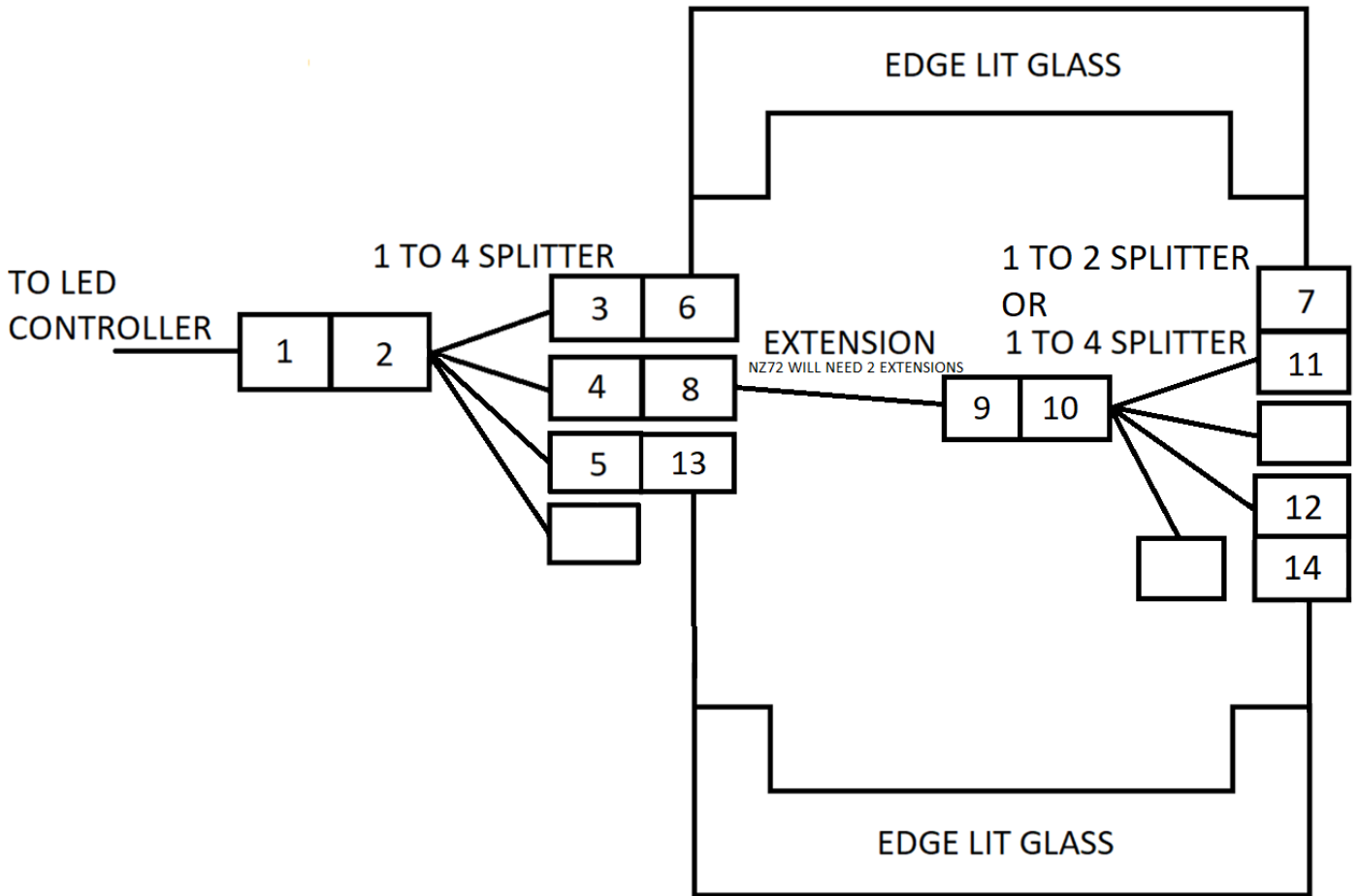
### NZ90 AND NZ108 SINGLE SIDE EDGE LIT GLASS

AA-11-05224 X 2 AND AA-11-05225 X 2



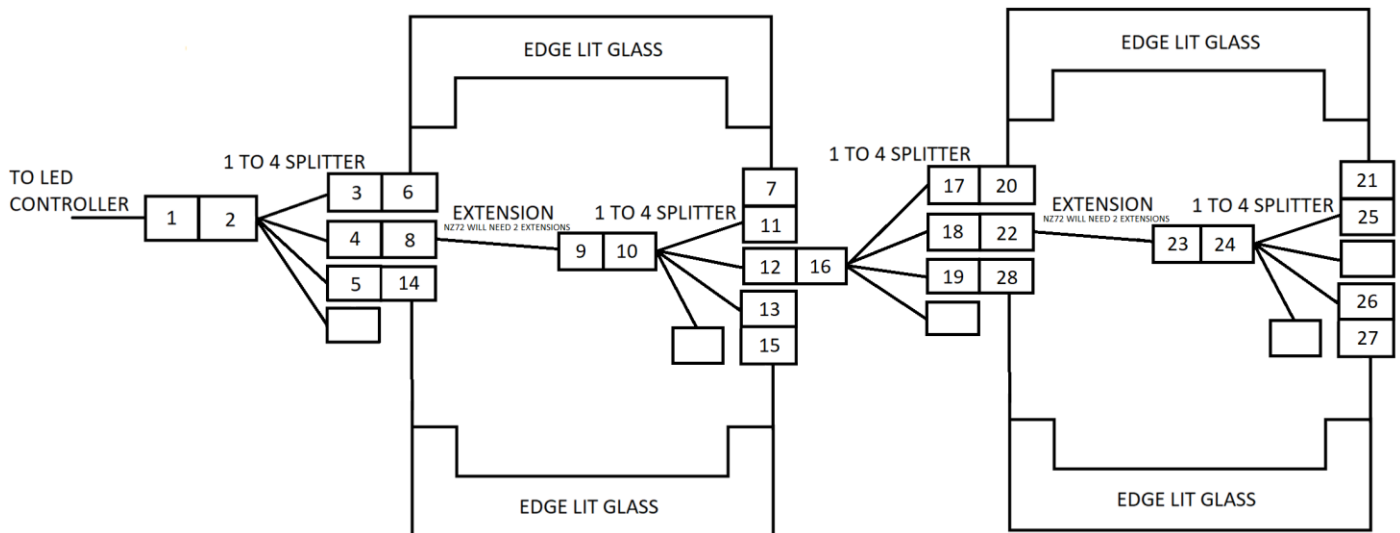
**NZ40, NZ48, NZ60, AND NZ72 DOUBLE SIDE EDGE LIT GLASS**

**AA-11-05220, AA-11-04930, AA-11-05221, AND AA-11-05183**



**NZ90 AND NZ108 DOUBLE SIDE EDGE LIT GLASS**

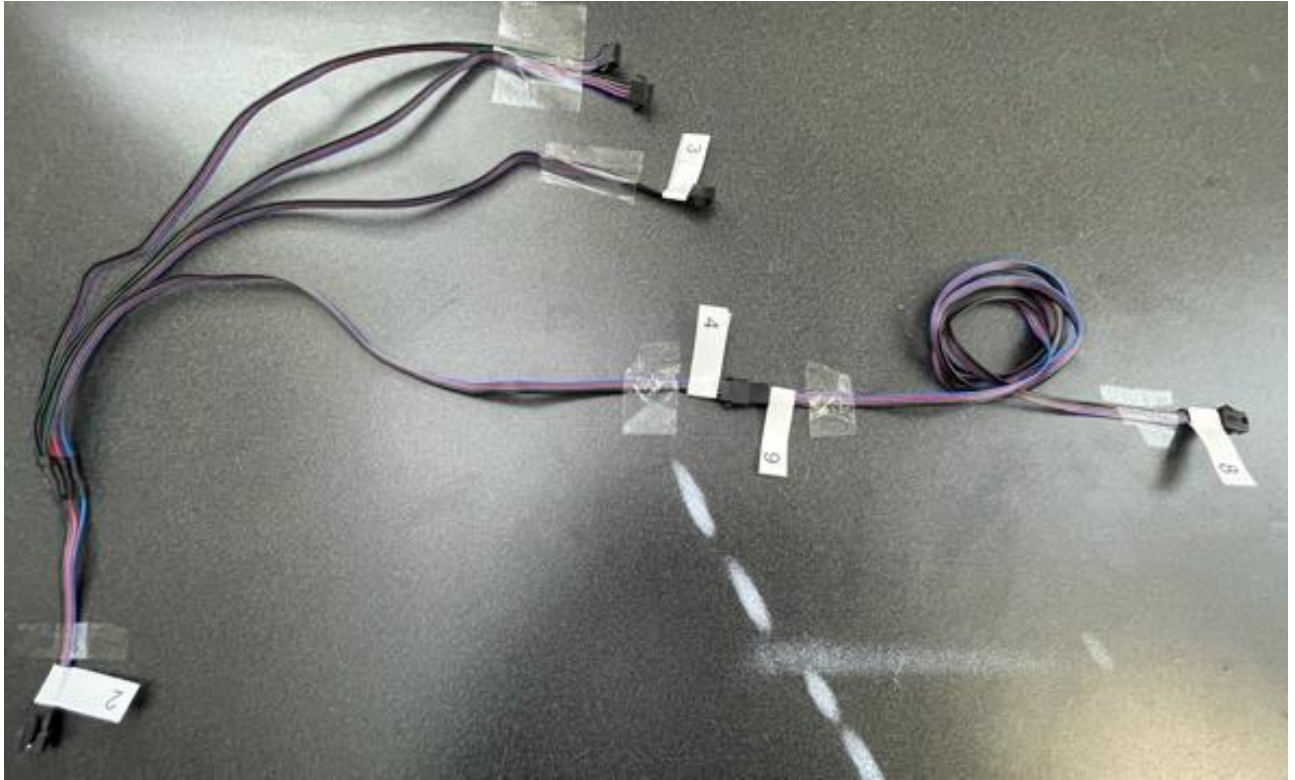
**AA-11-05220 X 2 AND AA-11-04930 X 2**



## CONNECTING LED TERMINALS

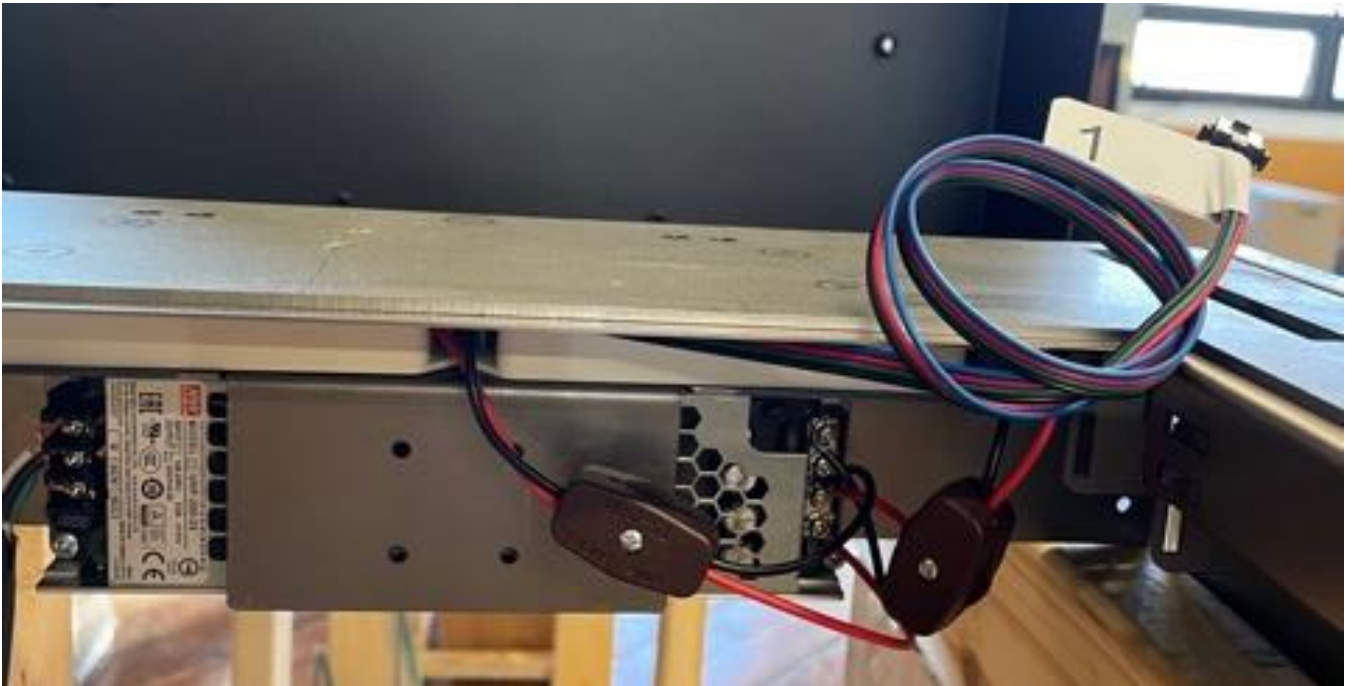
The instructions will be showing how to install the NZ40, NZ48, NZ60, AND NZ72 single side edge lit glass kit. Follow the same process for the other configurations while making adjustments for additional terminals when necessary.

- 1) Lay out the wires and connect them in the correct order. For this configuration the extension is connected to the 1 to 4 splitter. Follow the flow chart below for correct wire harness configuration for each kit



Wire Harness Connection Flow Chart						
	1st Harness	2nd Harness	3rd Harness	4th Harness	5th Harness	6th Harness
<b>NZ40-NZ72 Single Sided</b>	1 to 2 or 1 to 4 Splitter	Extension	-	-	-	-
<b>NZ90 and NZ108 Single Side</b>	1 to 4 Splitter	Extension	1 to 4 Splitter	Extension	-	-
<b>NZ40-NZ72 Double Sided</b>	1 to 4 Splitter	Extension	1 to 2 Splitter or 1 to 4 Splitter	-	-	
<b>NZ90 and NZ108 Double Sided</b>	1 to 4 Splitter	Extension	1 to 4 Splitter	1 to 4 Splitter	Extension	1 to 4 Splitter

2) Connect the 1 to 4 splitter female terminal, shown with a (2) marking above, into the LED Controller (1).



Terminal from LED controller



Connecting LED controller terminal to 1 to 4 splitter

- 3) Find the LED strip terminals that are attached to the edge lit glass marked (5) and (7).
- 4) Connect electrical terminals (3) to (5) and (8) to (7) as shown in the wiring diagram, the terminal numbers are not important and can be switched without problem.
- 5) Restore power to the LED controller and test that all strings of LED's are functional.
- 6) Use the cut outs on the support rib to attach zip-ties and secure the wires so they will not interfere with the burner installation.



- 7) Place the burner back into the firebox along with any media that was removed.